

JUAL Extension pipe



Application:

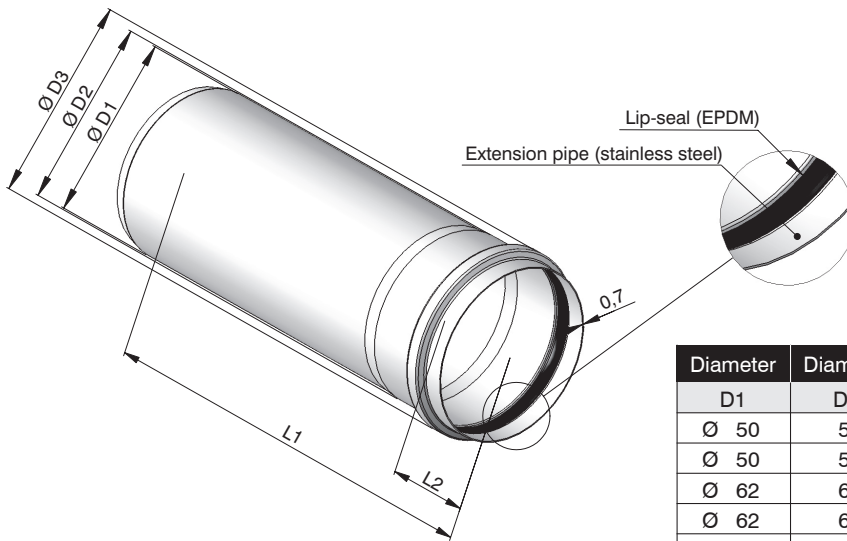
For a tight and secure solution for extending roof outlet pipes.

Material:

Extension pipe: (stainless steel)
Lip Seal (EPDM)

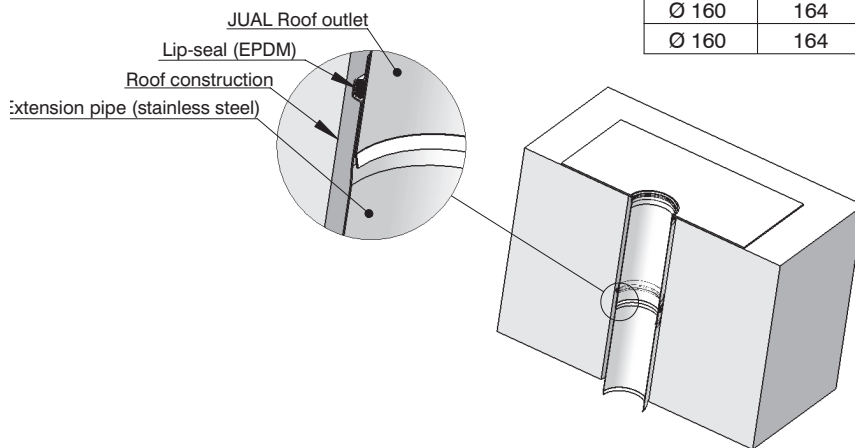
Type	Ø (mm)	Length	Item no
JUAL Extension pipe	50 mm	250 mm	(457050-250)
JUAL Extension pipe	50 mm	500 mm	(457050-500)
JUAL Extension pipe	62 mm	250 mm	(457062-250)
JUAL Extension pipe	62 mm	500 mm	(457062-500)
JUAL Extension pipe	75 mm	250 mm	(457075-250)
JUAL Extension pipe	75 mm	500 mm	(457075-500)
JUAL Extension pipe	80 mm	250 mm	(457080-250)
JUAL Extension pipe	80 mm	500 mm	(457080-500)
JUAL Extension pipe	90 mm	250 mm	(457090-250)
JUAL Extension pipe	90 mm	500 mm	(457090-500)
JUAL Extension pipe	95 mm	250 mm	(457095-250)
JUAL Extension pipe	95 mm	500 mm	(457095-500)
JUAL Extension pipe	110 mm	250 mm	(457110-250)
JUAL Extension pipe	110 mm	500 mm	(457110-500)
JUAL Extension pipe	125 mm	250 mm	(457125-250)
JUAL Extension pipe	125 mm	500 mm	(457125-500)
JUAL Extension pipe	145 mm	250 mm	(457145-250)
JUAL Extension pipe	145 mm	500 mm	(457145-500)
JUAL Extension pipe	160 mm	250 mm	(457160-250)
JUAL Extension pipe	160 mm	500 mm	(457160-500)

Technical specifications:



Diameter	Diameter	Diameter	Pipe length	Socket length
D1	D2	D3	L1	L2
Ø 50	54	60	250	70
Ø 50	54	60	500	70
Ø 62	66	72	250	70
Ø 62	66	72	500	70
Ø 75	79	85	250	70
Ø 75	79	85	500	70
Ø 80	84	90	250	70
Ø 80	84	90	500	70
Ø 90	94	100	250	70
Ø 90	94	100	500	70
Ø 95	99	105	250	70
Ø 95	99	105	500	70
Ø 110	114	120	250	70
Ø 110	114	120	500	70
Ø 125	129	135	250	70
Ø 125	129	135	500	70
Ø 145	149	154	250	70
Ø 145	149	154	500	70
Ø 160	164	169	250	70
Ø 160	164	169	500	70

Installation:



General information

The pipe is produced in compliance with the guidelines described in EN1124, which outline the current requirements for the production of stainless steel pipes.